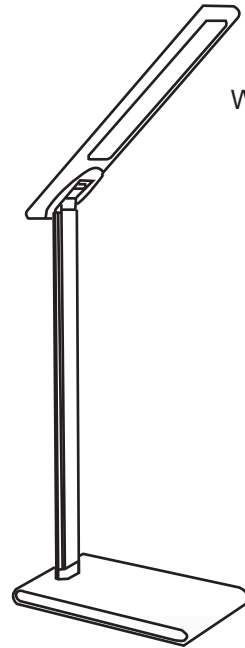


# USER MANUAL

DISPLAYS2GO



**INTELLIGENT  
LED DESK LAMP  
WITH WIRELESS CHARGER**

FDLEDLAMP1G  
FDLEDLAMP2G

Scan QR code to visit  
the product page:



Ver. 04/20

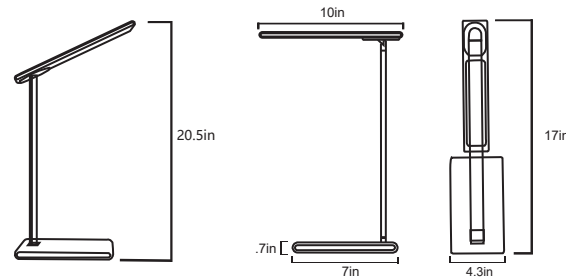
## 1 Product Features

- SideView LED, High-grade LGP and diffuser produce soft and even lighting effect.
- CE, ROHS, CULGS, ERP, SAA, PSE or KC approving external LED adaptor. Low voltage and constant current output, no flicker and safe.
- Brand-name led chips, CRI>90 with consistent quality.
- Intelligent touch dimmable on brightness from 10% to 100%. Color temperature from 2700K to 6500K.
- (1) intelligent USB charging port, automatically adjusts the current and charges your device.
- Qi wireless charger (optional) with LED indicator. Stops charging automatically after reaching full charge; with FOD-check function; safe to use with metal objects around.

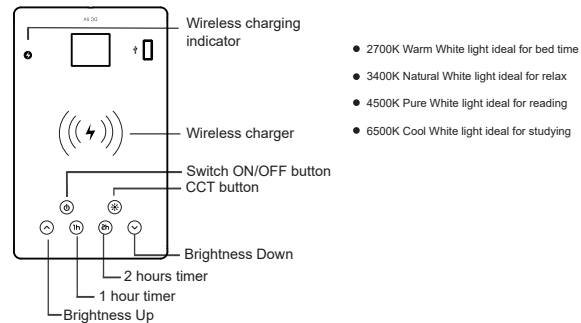
## 2 Specifications

Lamp Power: 5W  
 Lamp Rotation Angle: 120°  
 Input Voltage: AC100-240V  
 Lamp Illuminance: 950lux @30cm  
 Smart Quick Charger: DC 5V 2A (1 USB)  
 Wireless Charger: DC 5V 1A (OPTIONAL)  
 Light Source: 60PCS LED  
 CRI: >90  
 Switch Method: Touch Sensor  
 Color Temperature: 2700K-6500K  
 Luminous Mode: Side-emitting  
 Material: PC+ALU  
 Lamp Size: L432mm\*W110mm\*H28.5mm

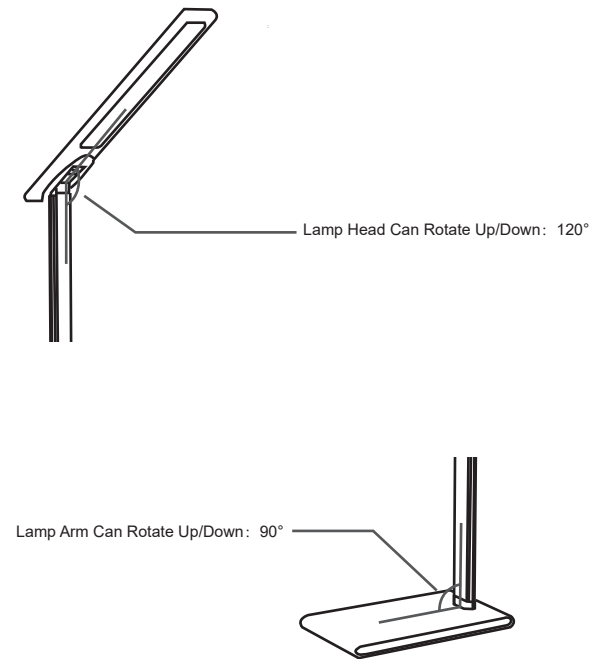
## 3 Lamp Overview



## 4 Description of Buttons



## 5 Adjusting Lamp Position



## 6 Operating Instructions

- Brightness control buttons: Brightness continuously dimmable from 2700K-6500K.
- Memory function: Without unplugging, the LED light will automatically switch to the last brightness level when turned back on.
- ON/OFF button: Plug in the power cord, touch ON/OFF button to turn the light on/off.
- USB Charging port: Plug in your charging cable and connect with your device.
- Wireless charging: Red light indicates standby, Blue light indicate charging
- Timer Function: Press <1h> / <2h>, the LED light will automatically turn off after 1 hour / 2 hours, respectively.

### CAUTION:

- For indoor use ONLY.
- The lamp head may get hot when in use. Do NOT touch the LED lights.
- ONLY use the supplied AC power adaptor.
- LED module is not replaceable.
- Do NOT look directly at the LED lights.

## 7 Packing List

LED Lamp	1pc
Power Adaptor	1pc
User Manual	1pc

If you have any questions regarding our products, please visit us at [www.displays2go.com](http://www.displays2go.com) or contact D2G customer service at 844-221-3388.